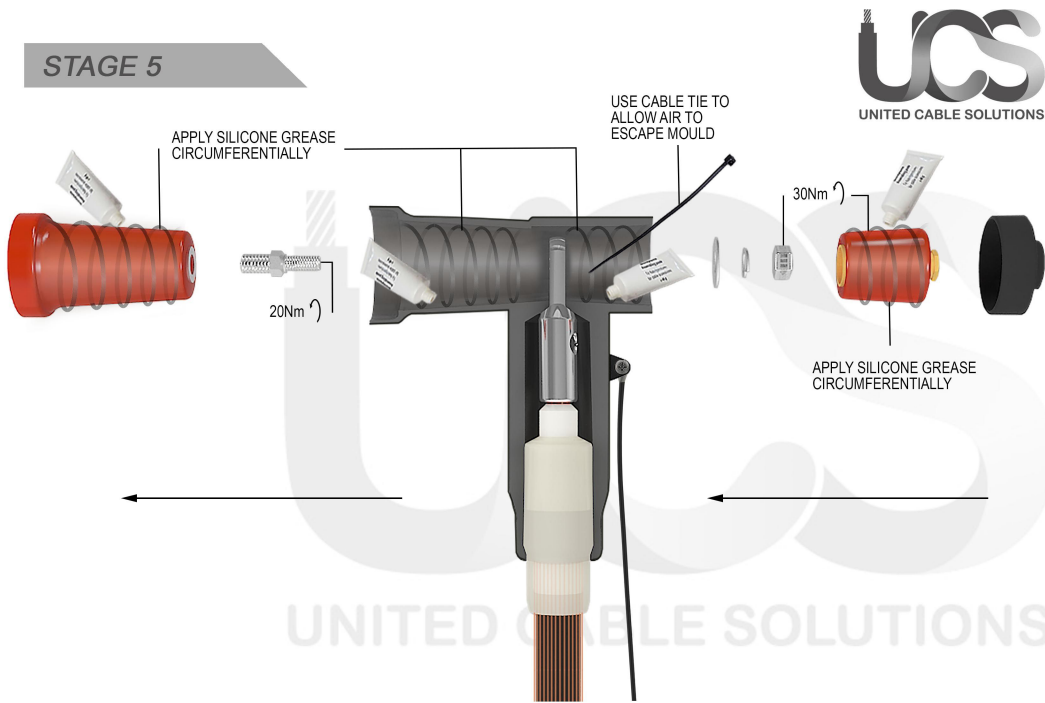


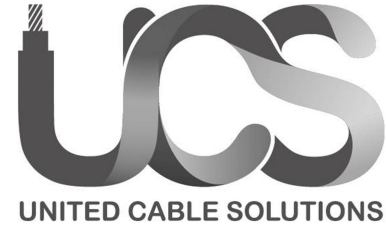
STAGE 5



STAGE 6



HS - UM - 014



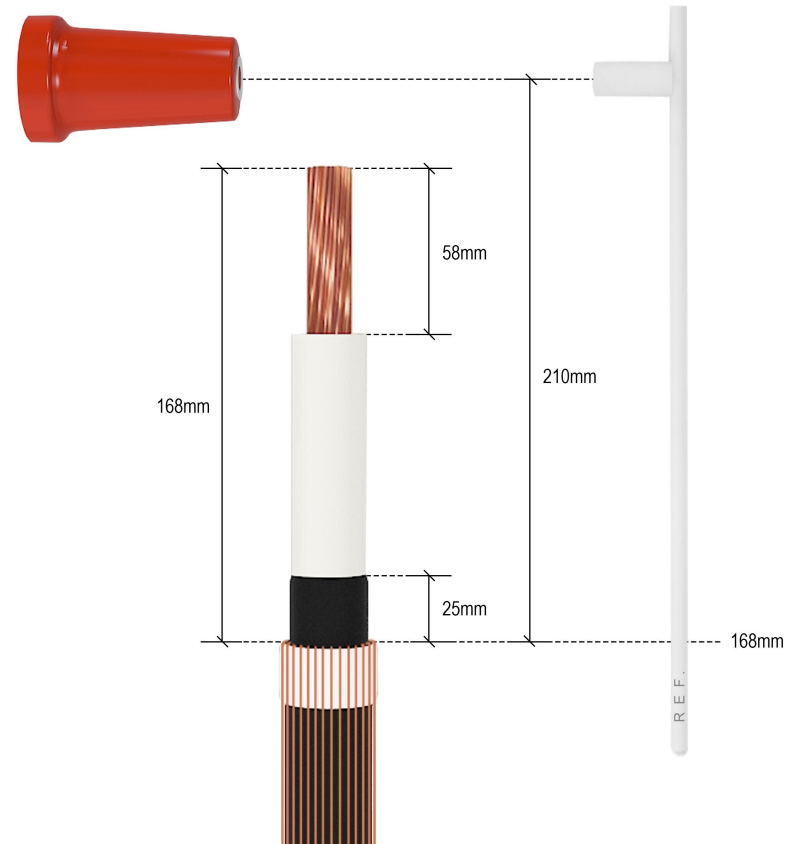
CONTACT
TECHNICAL ENQUIRES
JONO@JBJS.COM.AU

19/33 KV

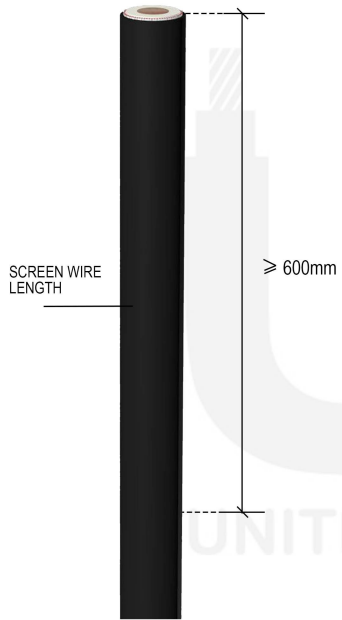
630A

FULLY SCREENED SEPARABLE CONNECTOR
TERMINATION GUIDE

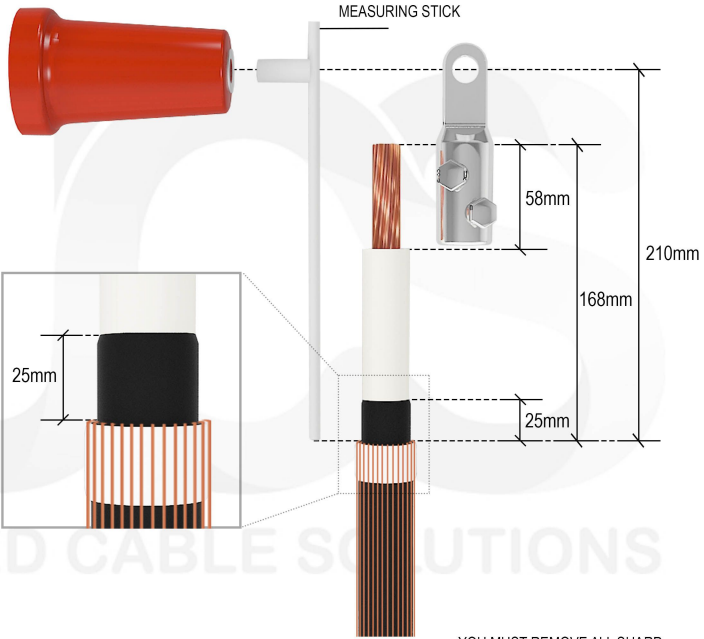
SUMMARY



CABLE PREP



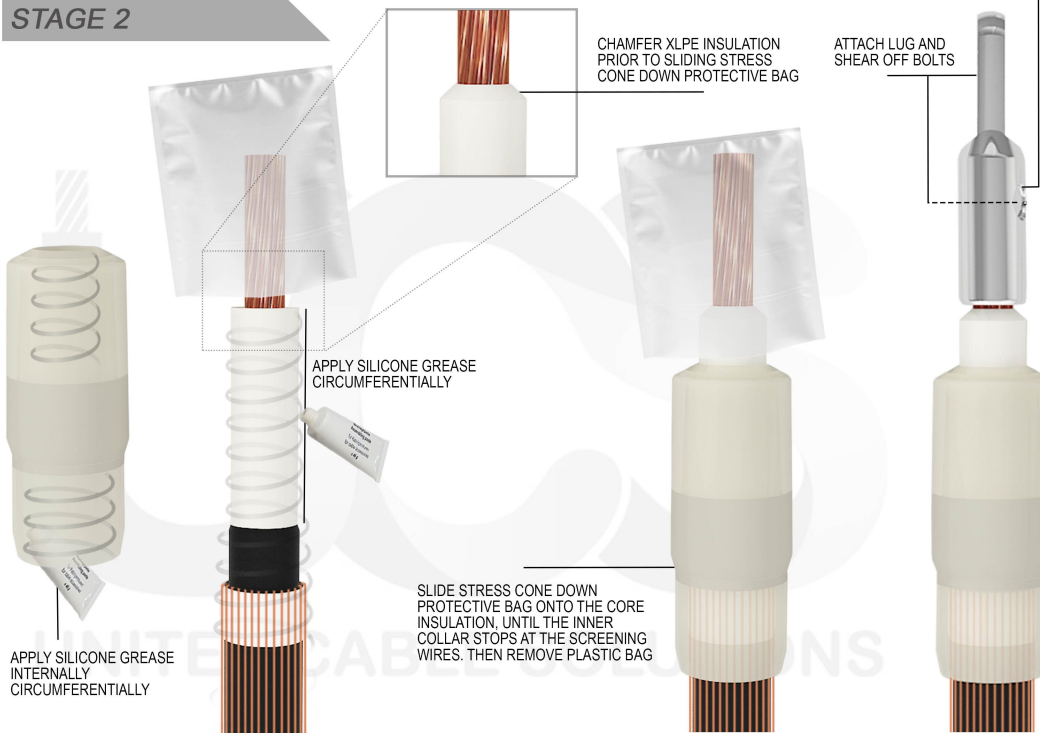
STAGE 1



STAGE 3



STAGE 2



STAGE 4

